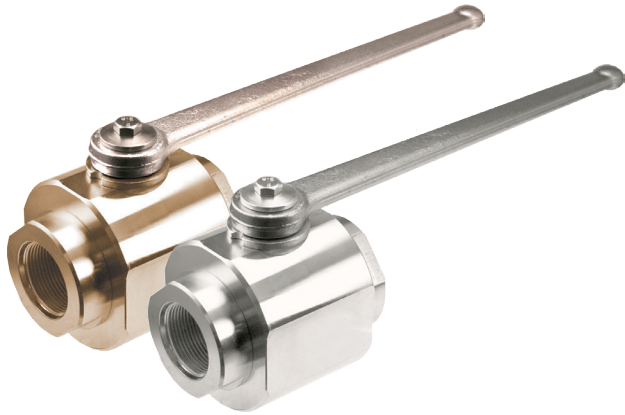
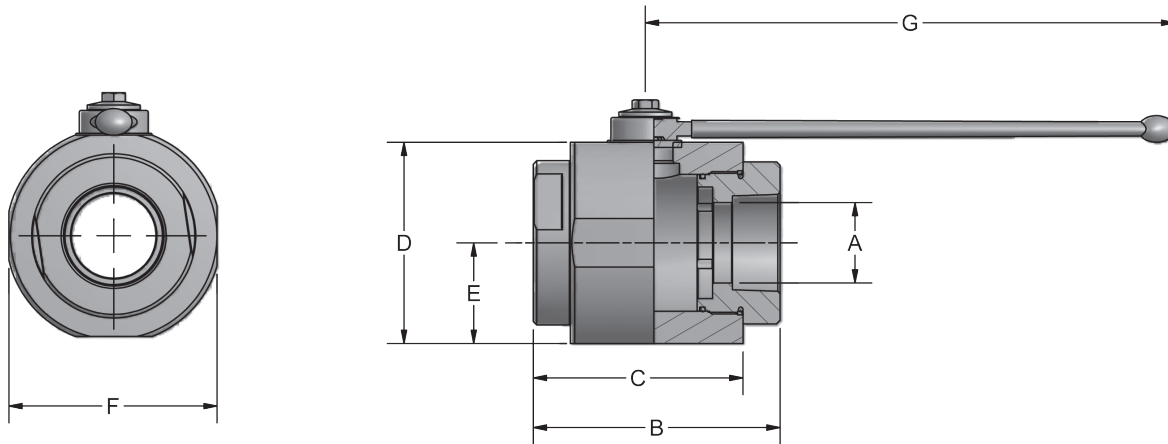


# AB2 Series - Two-Way Round Body Threaded



- Carbon Steel with Zinc Chromate Plating (RoHS Compliant)
- 316 stainless steel available from stock
- Unrestricted bore available through 2" size
- POM seats & Buna O-rings standard on carbon steel valves
- Optional seal materials available for extreme temperature applications & fluid compatibility (Consult Factory)



Standard handle supplied is C81302B. Refer to page 43 for details.

| AB2 SERIES FULL BORE |          |         |        |      |      |      |      |      |       |          |
|----------------------|----------|---------|--------|------|------|------|------|------|-------|----------|
| NPT                  | SAE      | PSI MAX | A BORE | B    | C    | D    | E    | F    | G     | WEIGHT   |
| AB2 N1-1/4           | AB2 S#20 | 5075    | 1.26   | 4.53 | 3.74 | 3.66 | 1.83 | 3.46 | 11.81 | 15.4 LBS |
| AB2 N1-1/2           | AB2 S#24 | 5075    | 1.57   | 5.16 | 4.25 | 4.21 | 2.11 | 4.02 | 11.81 | 16.3 LBS |
| AB2 N2               | AB2 S#32 | 5075    | 1.97   | 5.51 | 4.53 | 4.49 | 2.24 | 4.65 | 11.81 | 19.9 LBS |

NPT threads in accordance with ANSI B.1.20.1 specifications.  
SAE threads in accordance with SAE J1926-1 specifications.



# AB2 Series - Two-Way Round Body Threaded

## Model Code Breakdown

AB2 N1 1/2 \_ - 1 1 D B \_

**VALVE SERIES**

**CONNECTION TYPE/SIZE**

|   |                     |
|---|---------------------|
| N | NPT Pipe Thread     |
| S | SAE Straight Thread |
| B | BSPP Thread         |

**BORE RESTRICTION**

|       |                   |
|-------|-------------------|
| blank | Unrestricted Bore |
| R     | Restricted Bore   |

**BODY & ADAPTER MATERIAL**

|   |                     |
|---|---------------------|
| 1 | Carbon Steel        |
| 2 | 316 Stainless Steel |

**BALL & STEM MATERIAL**

|   |                     |
|---|---------------------|
| 1 | Carbon Steel        |
| 2 | 316 Stainless Steel |

**LOCKING KIT OR  
OPTIONAL HANDLE CODE**  
(See pages 42 & 43)

**ADAPTER & STEM SEALS**

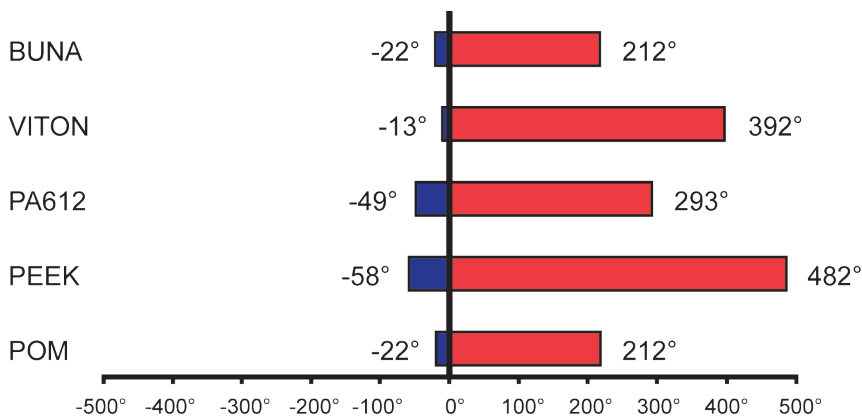
|   |                    |
|---|--------------------|
| B | Buna- Standard     |
| V | Viton (Std on S/S) |

**BALL & STEM SEATS**

|   |               |
|---|---------------|
| D | POM- Standard |
| P | PEEK          |
| N | PA612         |

Please consult your system's seal manufacturer for recommendation of seal selection, as Anchor Fluid Power does not accept responsibility for seal selection.

### MAXIMUM & MINIMUM WORKING TEMPERATURES FOR SEAL MATERIALS



All temperatures are in degrees Fahrenheit.